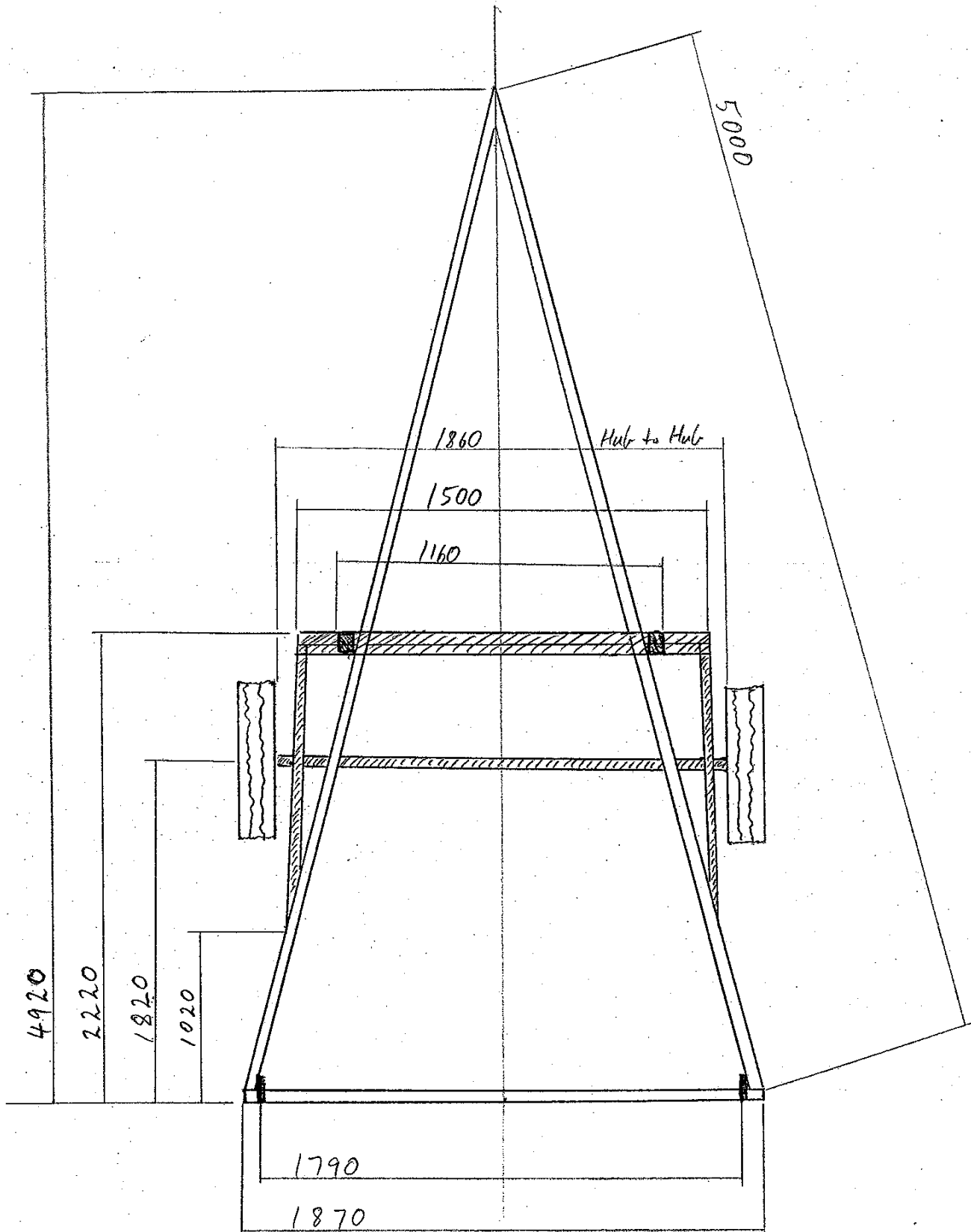


Mosquito Trailer

Main sections are made from 75mm x 38mm steel.

Boat is supported by the main beam with carpet on the mudguards for sliding on and off. At the back the hulls sit on the rests that they slide on and off.

The main beam support is 715mm high and the rear support posts are 280mm (this doesn't include the hull rests).





Front view



Draw bar, mast support, spare wheel and beach trolley



Main beam support



Front view of main beam support and axle attachment



Rear view of axle support



Underside view of axle support



Rear hull support from the outside



Rear hull support from the inside